

CHERRY PICKER · IE

Sales & Service

Bespoke Design

MEWP Training

Handling Solutions



®

E5 Move



580 kg



200 kg



EN280



ELEVAH[®] 5

Max. working height	5,15 m
Max capacity	200 kg
Number of people	1
Use	Internal
A Closed machine height	1690 mm
B Min. height from the ground*	289 mm
C Maximum platform height	3150 mm
D Base overall dimensions	980 mm
E	700 mm
F Cage dimensions	685 mm
G	600 mm
Machine weight	580 kg
Drive wheels dimension	Ø 186 x 60 mm
Swivel wheels dimensions	Ø 150 x 40 mm



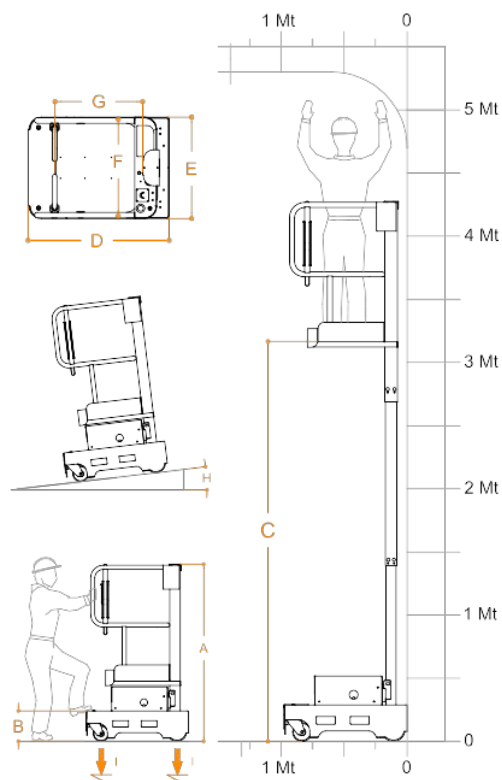
PERFORMANCE

Power supply	Electrical 24 V
Batteries	2 Trojan Lead-Acid 12V 105 Ah
Battery charger	115V – 230V 50/60HZ
H Maximum climbing ability	15%
Climbing ability at height	2,5%
Internal turning radius	0
External turning radius	1050 mm
Max. speed (rising – descending)	0,2 m/s
Maximum shifting speed	5,5 km/h
Maximum shifting speed at height	1 km/h
I Maximum pressure for wheel at full load**	2,7 kN
Work cycles (with fresh batteries) ***	100

* There is an intermediate step.

** Maximum pressure whereas the weight of the platform plus the maximum load on the basket are completely distributed on one side of the platform (totally asymmetric load).

*** By work cycle we mean a self-propelled movement of 20 m with a full ascent to and descent from the maximum height and with adjustment of the loading platform.



CHERRY PICKER·IE

