

# niftylift

# 150T

## CHERRY PICKER · IE

 Sales & Service
  Bespoke Design
  MEWP Training
  Handling Solutions



(A) 14.7m  
48ft 6in



(B) 12.7m  
42ft



(C) 7.55m  
25ft



225kg  
500lbs



1.4m x 0.7m  
4ft 7in x 2ft 4in



(D) 2m  
6ft 7in



(F) 1.6m  
5ft 3in



(G) 3.8m  
12ft 6in



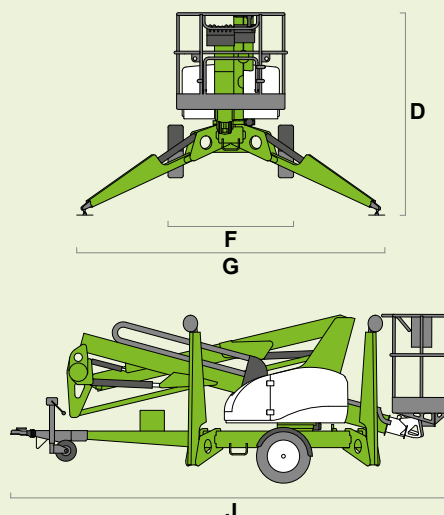
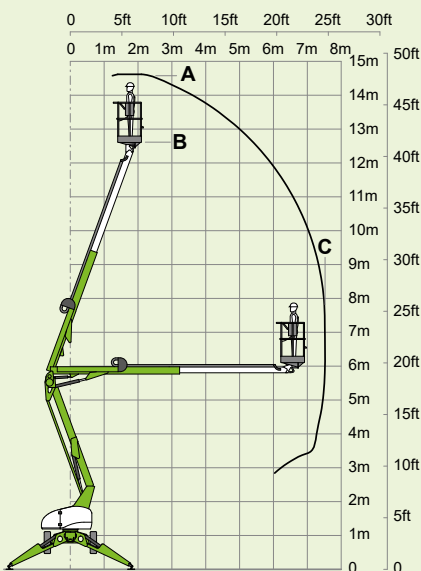
(J) 5.55m  
18ft 3in



1775kg  
3915lbs



23%  
13°



## CHERRY PICKER · IE

 Sales & Service
  Bespoke Design
  MEWP Training
  Handling Solutions





