

# INSULATED

Tecnologia e sicurezza per lavorare in quota  
 Safety and technology for aerial works  
 Technologie et sécurité pour travaux aériens  
 Technologie und Sicherheit bei der Arbeit in der Höhe  
 Tecnología y seguridad por trabajos aéreos  
 Технология и безопасность для работы на высоте



14	15	17	20	22
JIB	JIB		JIB	JIB

## INSULATED 1 KV BASKET AND TRUCK



Special insulators made of non-conductive material that insulate all the mechanical connections to the turret. In case of accidental contact of the telescopic boom to power lines, the current does not pass through, truck and subframe are safe.



Fiberglass basket insulated up to 1kV against accidental contacts, mounted over fiberglass special insulators to grant even more safety for insulation between boom and basket.



Electrically insulated controls inside the basket thanks to special fiberglass levers.



- Piattaforma aerea per lavori su linee elettriche in tensione secondo la normativa DIN VDE 0682
- Altezza di lavoro da 14 a 22 m
- Sbraccio laterale fino a 15 m
- Portata in navicella fino a 250 kg
- Comandi 100% idraulici
- Rotazione continua della torretta a 360°
- Contatore in cabina



- Aerial platform to work on electric power lines under voltage in compliance with the Standard DIN VDE 0682
- Working height from 14 to 22 m
- Lateral outreach up to 15 m
- Basket capacity up to 250 kg
- 100% hydraulic controls
- 360° Continuous rotation of turret



- Nacelle élévatrice pour travailler sur lignes électriques sous tension selon la norme DIN VDE 0682
- Hauteur de travail de 14 à 22 m
- Déport latéral jusqu'à 15 m
- Capacité du panier 250 kg
- Commandes 100% hydrauliques
- Rotation continue de la tourelle de 360°
- Compte-heures dans la cabine



- Arbeitsbühne zugelassen für Arbeiten an spannungsführenden elektrischen Leitungen gemäß DIN VDE 0682
- Arbeitshöhe zum 14 bis 22 m
- Seitliche Reichweite bis 15 m
- Tragkraft im Korb 250 kg
- 100% hydraulische Steuerung
- Endlose Turmdrehung um 360°
- Betriebsstundenzähler im Fahrerhaus



- Eléctricas bajo tensión según la norma DIN VDE 0682
- Altura de trabajo a partir el 14 de 22 m
- Alcance lateral hasta 15 m
- Capacidad en la cesta de 250 kg
- Mandos 100% hidráulicos
- 360° de rotación continua de la torreta
- Contador de horas en la cabina



- Автогидроподъёмник для работы на электрических линиях под напряжением в соответствии с нормативами DIN VDE 0682
- Рабочая высота от 14 м до 22 м
- Боковой вылет 15 м
- Грузоподъёмность в люльке 250 кг
- Управление 100% гидравлическое
- Многооборотное вращение башни на 360 градусов
- Счётчик моточасов в кабине



## INSULATED DIN VDE

14	15	17	20	22
JIB	JIB		JIB	JIB



### HIGH PERFORMANCE HYDRAULIC TOOLS



Every CO.ME.T.'s aerial platform is equipped with hydraulic outlet on sub-frame, nearby hydraulic controls, to operate hydraulic-powered tools.  
 IMPACT WRENCHES AND DRILLS • CAPSTAN WINCH HOIST • GROUND ROD DRIVERS AND POLE PULLERS • CHAIN SAW • CUT-OFF SAW  
 LONG REACH CHAIN SAW • PRUNERS • AUGERS • BREAKER HAMMER • POWER UNITS • SUBMERSIBLE WATER PUMPS

CO.ME.T. Officine reserves itself the right to make changes to project without notice.



Head Office - Show Room - Factory:  
 Via Castelfranco, 46 - Località Tivoli  
 40017 San Giovanni in Persiceto (BO) ITALY  
 Phone +39.051.6878711 - Fax +39.051.799902  
 Email: info@officinecomet.com - Website: www.officinecomet.com

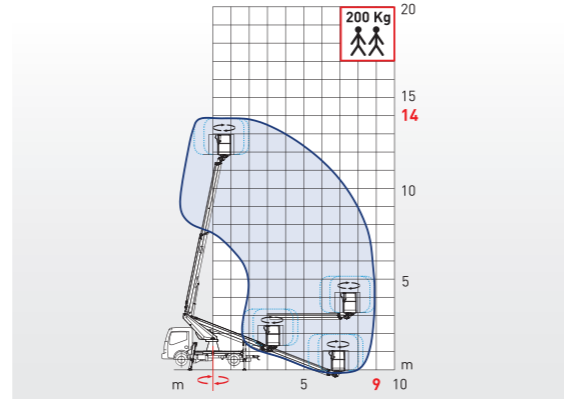


➤ SALI CON NOI ➤ CLIMB WITH US ➤ MONTE AVEC NOUS ➤ STEIGEN SIE MIT UNS AUF ➤ SUBE CON NOSOTROS ➤ ПОДНИМАЙТЕСЬ С НАМИ

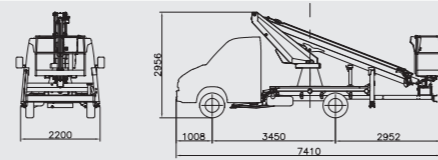
# EUROFILO-I

14 | 2 | 9

Area di lavoro | Working diagram  
Diagramme de travail | Arbeitsbereich  
Área de trabajo | Рабочая область



CONTINUOUS 360°

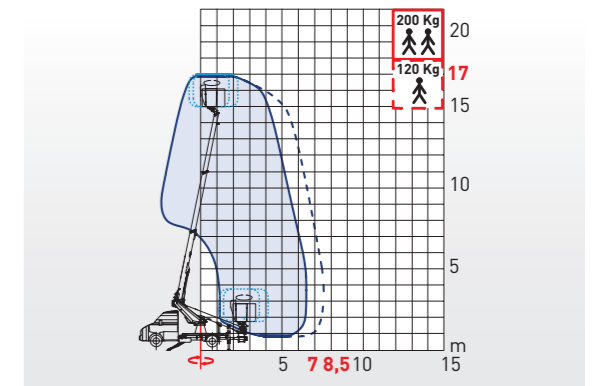


14 m	9 m	200 kg	360°	90°+90°	A + A	3,5 Ton

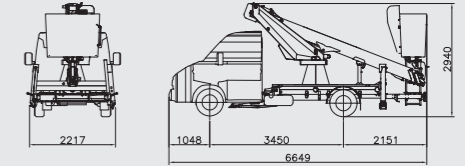
# EUROFILO-I

17 | 2 | 7 (8.5)

Area di lavoro | Working diagram  
Diagramme de travail | Arbeitsbereich  
Área de trabajo | Рабочая область



CONTINUOUS 360°

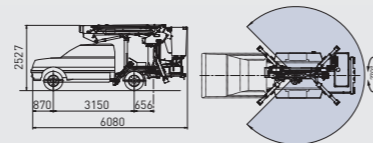
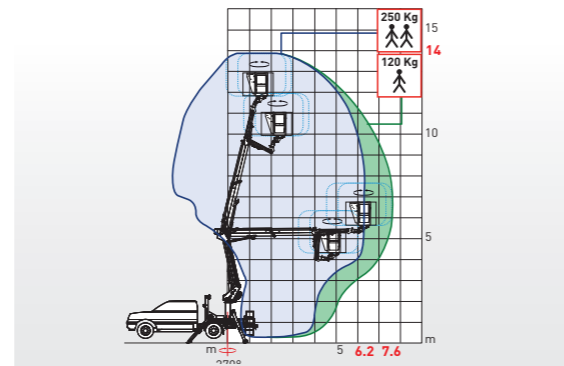


17 m	7(8,5) m	200 (120) kg	360°	90°+90°	A + A	3,5 Ton

# EUROSKY-I

14 | 2 | 6.2 (7.6) | JIB

Area di lavoro | Working diagram  
Diagramme de travail | Arbeitsbereich  
Área de trabajo | Рабочая область

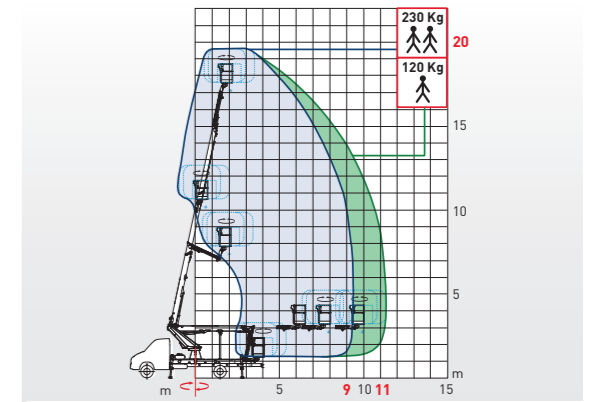


14 m	6,2 (7,6) m	250 (120) kg	270°	90°+90°	A + A	3,2 Ton

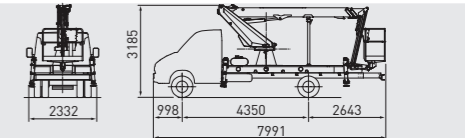
# EUROFILO-I

20 | 2 | 9 (11) | JIB

Area di lavoro | Working diagram  
Diagramme de travail | Arbeitsbereich  
Área de trabajo | Рабочая область



CONTINUOUS 360°

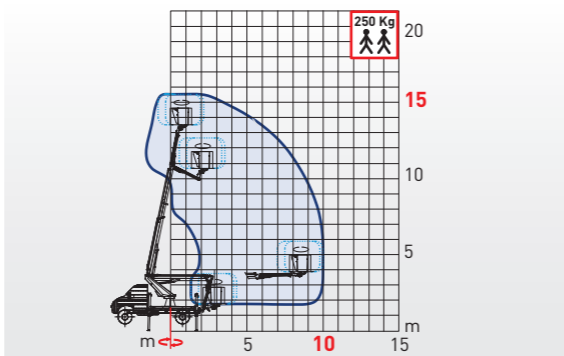


20 m	9 (11) m	230 (120) kg	360°	90°+90°	A + A	3,5 Ton

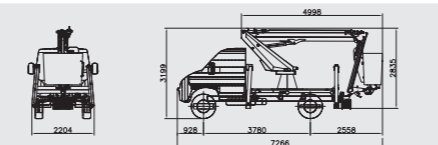
# EUROFILO-I

15 | 2 | 10 | JIB

Area di lavoro | Working diagram  
Diagramme de travail | Arbeitsbereich  
Área de trabajo | Рабочая область



CONTINUOUS 360°

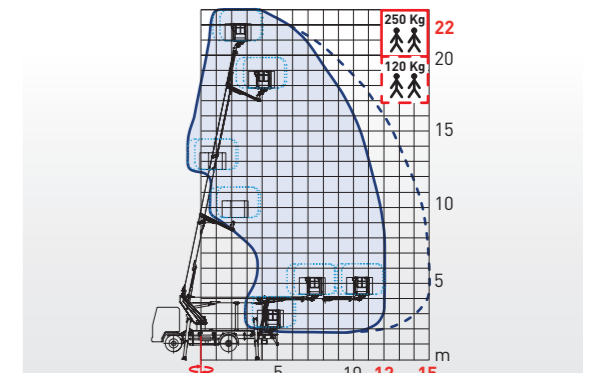


15 m	10 m	200 kg	360°	90°+90°	A + A	3,5 Ton

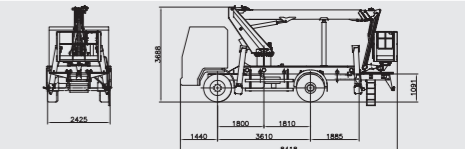
# EUROFILO-I

22 | 2 | 12 (15) | JIB

Area di lavoro | Working diagram  
Diagramme de travail | Arbeitsbereich  
Área de trabajo | Рабочая область



CONTINUOUS 360°



22 m	12(15) m	250 (120) kg	360°	90°+90°	A + A	3,5 Ton