

Electric Slab Scissor Lifts

Genie® GS™ -2632 & GS-2646

Specifications CE, UKCA

Models	GS-2632		GS-2646	
Measurements	US	Metric	US	Metric
Working height max. - indoor ⁽¹⁾	31 ft 9 in	9.85 m	31 ft 9 in	9.85 m
Working height max. - outdoor ⁽¹⁾	23 ft 6 in	7.33 m	25 ft 8 in	7.99 m
A Platform height max. - indoor	25 ft 9 in	7.85 m	25 ft 9 in	7.85 m
A Platform height max. - outdoor	17 ft 6 in	5.33 m	19 ft 8 in	5.99 m
B Platform height - stowed	4 ft 2 in	1.26 m	4 ft 2 in	1.27 m
C Platform length - outside	7 ft 1 in	2.16 m	7 ft 1 in	2.16 m
C Platform length - outside, extended	10 ft 1 in	3.07 m	10 ft 1 in	3.07 m
Slide-out platform extension deck - length	3 ft	0.91 m	3 ft	0.91 m
D Platform width - outside	2 ft 6.5 in	0.78 m	3 ft 7 in	1.10 m
Guardrail height	3 ft 7 in	1.10 m	3 ft 7 in	1.10 m
Toeboard height	6 in	15 cm	6 in	15 cm
E Machine Height - stowed (folding rails up)	7 ft 10 in	2.39 m	7 ft 10 in	2.39 m
Machine Height - stowed (rails lowered)	6 ft 2 in	1.88 m	5 ft 7 in	1.70 m
F Length machine - stowed (with ladder)	7 ft 9 in	2.36 m	7 ft 9 in	2.36 m
Length machine - stowed, extended	11 ft	3.35 m	11 ft	3.35 m
G Width	2 ft 8 in	0.81 m	3 ft 10 in	1.17 m
H Wheelbase	5 ft 10 in	1.78 m	5 ft 10 in	1.78 m
I Ground clearance (center) - pothole guards retracted	5 in	13 cm	5 in	13 cm
I Ground clearance - pothole guards deployed	0.8 in	2 cm	0.8 in	2 cm

Productivity

Max. platform occupancy (in/out)	2/1		3/1	
Lift capacity	500 lb	227 kg	1,000 lb	454 kg
Lift capacity - extension deck extended	250 lb	113 kg	250 lb	113 kg
Max. platform drive height	25 ft 9 in	7.85 m	25 ft 9 in	7.85 m
Drive speed - stowed	2.5 mph	4.0 km/h	2.5 mph	4.0 km/h
Drive speed - raised	0.5 mph	0.8 km/h	0.3 mph	0.5 km/h
Gradeability - stowed ⁽²⁾	25%		25%	
Turning radius - inside/outside	0/6 ft 8 in	0/2.0 m	0/7 ft 4 in	0/2.20 m
Lifting speed - raise/lower	43/39 sec		48/30 sec	
Tilt sensor activation (front to back/side to side)	3° / 1.5°		3° / 1.5°	
Tires - solid non-marking	15×5 in	38×13 cm	15×5 in	38×13 cm

Power

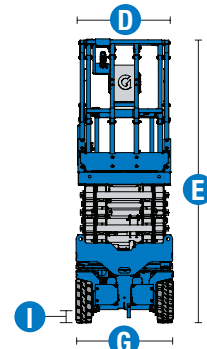
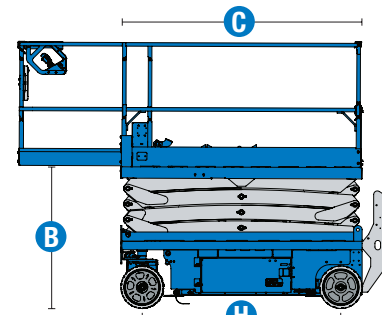
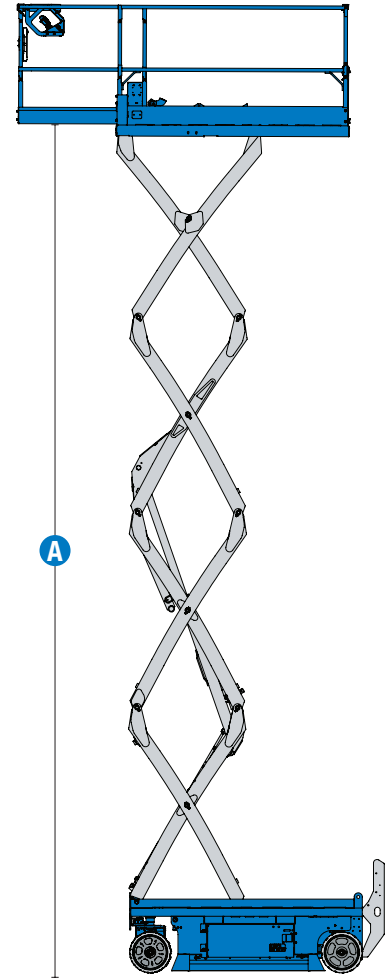
Power - FLA ⁽³⁾	24V DC (4×6V 210Ah)	24V DC (4×6V 210Ah)
Power - AGM	24V DC (4×6V 220Ah)	24V DC (4×6V 220Ah)
Power - Lithium-Ion	24V DC	24V DC
	(1×24V 90Ah or 100Ah)	(1×24V 90Ah or 100Ah)
Hydraulic tank capacity	3.2 gal	12L
	3.2 gal	12L

Weight(4) and Floor Loading⁽⁵⁾

Weight	4,490 lb	2,037 kg	4,286 lb	1,944 kg
Weight max. (adding all possible options)	4,611 lb	2,092 kg	4,406 lb	1,999 kg
Tire load max.	1,797 lb	815 kg	2,314 lb	1,050 kg
Tire contact pressure	119.8 psi	826 kPa	154.3 psi	1,064 kPa
Occupied floor pressure	271 psf	12.96 kPa	199 psf	9.53 kPa

Sound and Vibration Levels

Sound Pressure level (ground workstation)	< 70 dBA		< 70 dBA	
Sound Pressure level (platform workstation)	< 70 dBA		< 70 dBA	
Vibrations	< 8 ft 2 in/s ²	< 2.5 m/s ²	< 8 ft 2 in/s ²	< 2.5 m/s ²



Genie® GS™ -2632 & GS-2646

SKU: Standard Model CE, UKCA

- **GS2632E1CE0072:** GS-2632, E-Drive, 110V, PTP, Folding rails
- **GS2632E1CE0071:** GS-2632, E-Drive, 220V, PTP Ready, Folding rails
- GS-2632, E-Drive, Lithium-Ion*

* Build to Order

SKU: Standard Model

- **GS2646E1CE0075:** GS-2646, E-Drive, 110V, PTP, Folding rails
- **GS2646E1CE0076:** GS-2646, E-Drive, 220V, PTP Ready, Folding rails
- GS-2646, E-Drive, Lithium-ion*

Option availability		S	S+	BtO
Power	AGM Maintenance-free batteries	✓	✓	✓
	Lithium-Ion battery, UL certified			○
	Power Inverter		○	○
	Rear recessed charger receptacle	✓	✓	✓
Platform	Folding rails, Full-height swing gate (GS-2646)	✓	✓	✓
	Folding rails, Half-height swing gate (GS-2632)	✓	✓	✓
	Slide out extension deck	✓	✓	✓
	Power to platform Pre-arrangement (PTP Ready)	✓	✓	✓
	Power to platform no RCBO		○	○
	Power to platform with RCBO		○	○
	Air line to platform			○
	Automotive-style horn		○	○
	Descent, tilt and motion alarm	✓	✓	✓
	Diamond plate platform deck	✓	✓	✓
	Dual LED flashing beacons	✓	✓	✓
	Electric horn	✓	✓	✓
	Lanyard attachment points	✓	✓	✓
	Platform control guard (PCON)	✓	✓	✓
	Platform load sense system	✓	✓	✓
	Proportional drive and lift	✓	✓	✓
SmartLink dual zone control system	✓	✓	✓	
Chassis	Telematics-ready		○	○
	Lift Connect Telematics		○	○
	Lift Connect with Access Manager upgrade		○	○
	Eco32 biodegradable hydraulic oil		○	○
	Battery Guard - Anti-theft		○	○
	Lift Guard White Noise Alarm		○	○
	Lift Tools Spill Guard			○
	Software cut-out while charging (Drive or Drive & Lift)		○	○
	Auxiliary platform lowering	✓	✓	✓
	Driveable at full height	✓	✓	✓
	Dual front wheel sealed AC electric drive motors	✓	✓	✓
	Electric brake release	✓	✓	✓
	On board diagnostic system with battery charge indicator	✓	✓	✓
	Pothole protection	✓	✓	✓
	Side and rear fork pockets	✓	✓	✓
	Solid non-marking tires	✓	✓	✓
Tech Pro Link connector	✓	✓	✓	
Tie-down and lifting points	✓	✓	✓	

- S Standard
- S+ Standard +
- BtO Build to Order
- ✓ Standard Features
- Options



Durable Link Stack Design



Platform Ergonomics



Optional Lithium Battery



CHERRY PICKER·IE

