



VOYAGER SQUEEZE-O-TURN 1100LBS

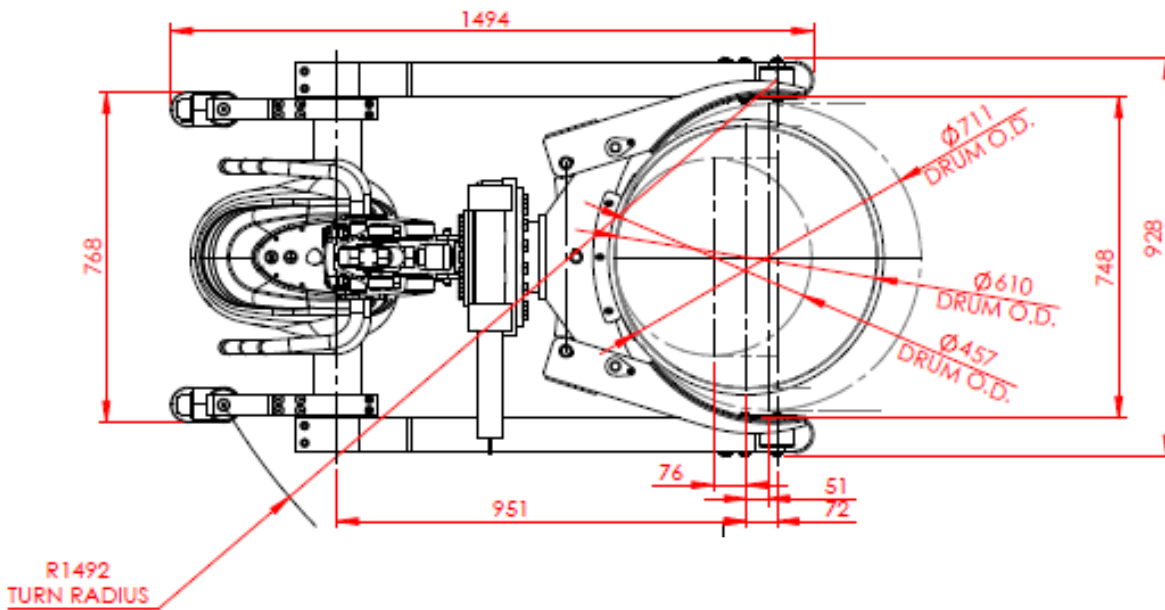
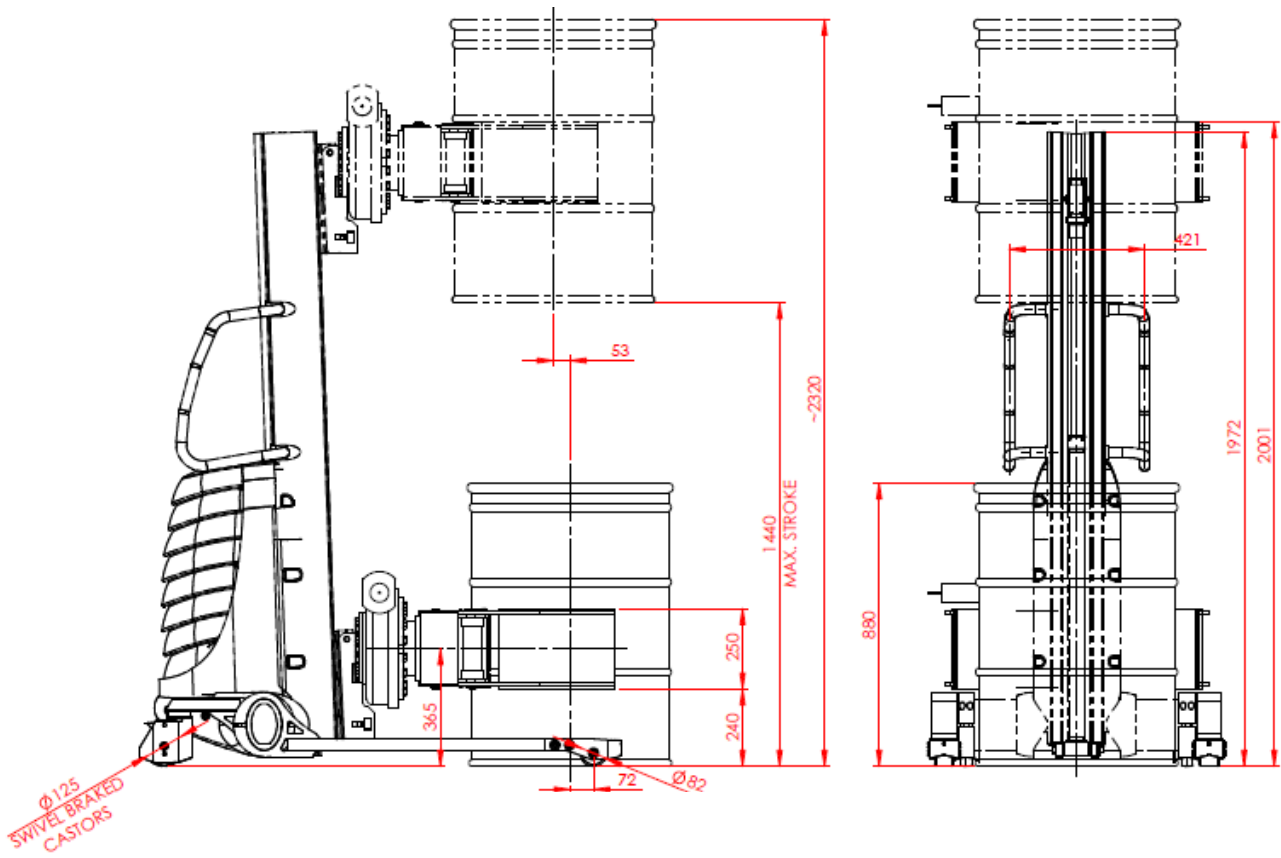


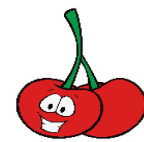
FEATURES

- Strong & dynamic award winning design
- 1100lbs capacity to grip, lift and rotate reels, rolls and 55 gallon drums
- 360 degree rotation
- Steel and lightweight aluminium modular construction - up to 30% lighter and easier to manoeuvre than standard steel stackers
- Wide straddle leg option for use with GKN pallets
- Single mast for better operator visibility
- Battery & internal charger included
- High tenacity lifting belt - non corrosive and very strong
- Adapt your Voyager for all applications with our wide range of special options and attachments
- Minimal weld construction leaves fewer points of possible weakness
- Ergonomically designed handles to suit any user and allows greater manoeuvrability
- Patented 'C' shaped leg clamps makes it easy to adjust legs to suit your application
- Polyurethane wheels, 2 braked swivel castors & toe guards
- Heavy duty swivelled castors ensure quiet, smooth operation
- Electric and manual options available with two lift heights



DIMENSIONS





TECHNICAL SPECIFICATION

	USA	UK
OPERATION	Battery Electric	
CAPACITY	1100lbs	500kg
LOAD CENTRE	22"	550mm
HEIGHT OF LIFT	78"	1970mm
LOWEST HEIGHT	9"	240mm
O/A HEIGHT RAISED	79"	2000mm
LEG TYPE	35"	900mm
OVERALL W x L	36" x 59"	930mm x 1500mm
DIST. BETWEEN LEGS	Min 12" / Max 30"	Min 310mm / Max 750mm
CASTOR WHEELS	5" Poly	125mm Poly
BACK LEG WIDTH	4"	105mm
LOAD WHEELS	3" x 2" Poly	82mm x 60mm Poly
BRAKES	2 braked castors	
WEIGHT	558lbs	253kg
LIFT STROKE	10.5 seconds / metre	

Also available with a 63" / 1600mm lift height and wide straddle legs.