

STOCK PICKER 40PUSH

Capacious, practical and secure

The picking machine with an elevation of up to 4 meters, having **manual traction** and **automatic elevation** with a 24-volt battery.

Made entirely in aluminum, it is extremely maneuverable and compact.

The **large-dimension picking platform** can be adjusted in height, even whilst aboard, thanks to a **manual remote control**.

The picking platform



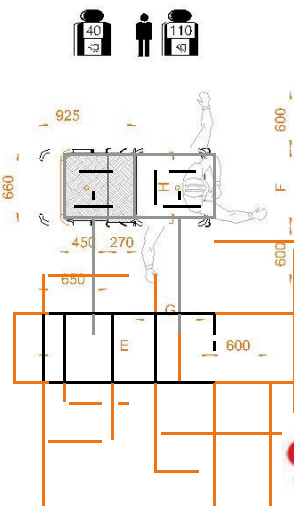
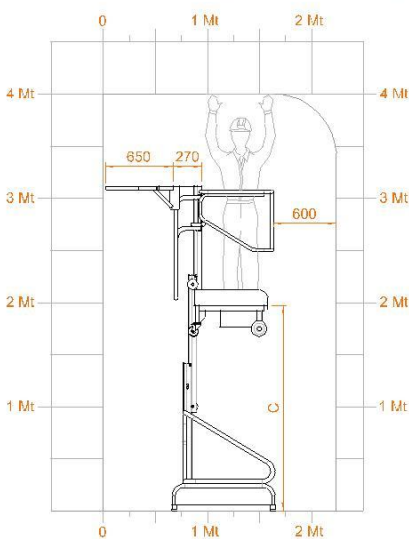
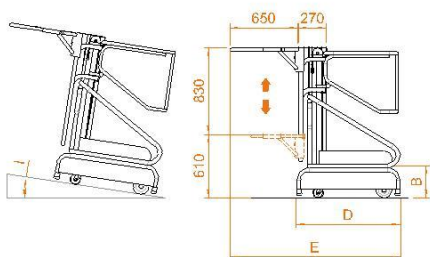
1. The load can also be lifted by remote control whilst on the platform
2. Large extendible loading platform of up to 66 x 92 cm

Maneuverable, easy to move





Max capacity		110 + 40 Kg
Number of people		1
Use		internal & external
A	Stowed height	1440 mm
B	Min. height from the ground to the platform level	310 mm
C	Max. height from the ground to the platform level	1960 mm
D	Overall machine dimensions	995 mm
E		1640 mm
F		740 mm
G	Cage inner dimensions	700 mm
H		680 mm
Picking platform		450 mm 660 mm
Storage tray		270 mm 660 mm
Picking plate capacity		40 Kg
Machine weight		172 Kg
N° 2 AGM 12 V batteries		33 Ah* - 45 Ah**
Power supply		24 V
Battery charger		110 V - 120 V
I	Maximum climbing ability	15%
Swivel wheels dimensions		Ø 100 x 30
Swivel wheels dimensions		Ø 150 x 45
Turning radius		0
Maximum rising speed		0,08 m/s
Maximum descending speed		0,1 m/s
Work cycles (with fresh batteries)		100 - 150



* Standard
 ** Optional - 40BGM
 *** By work cycle we mean a self-propelled movement of 20 m with a full ascent to and descent from the maximum height