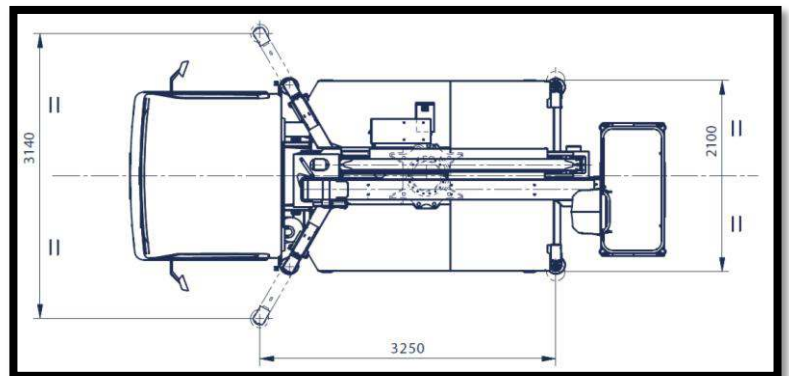
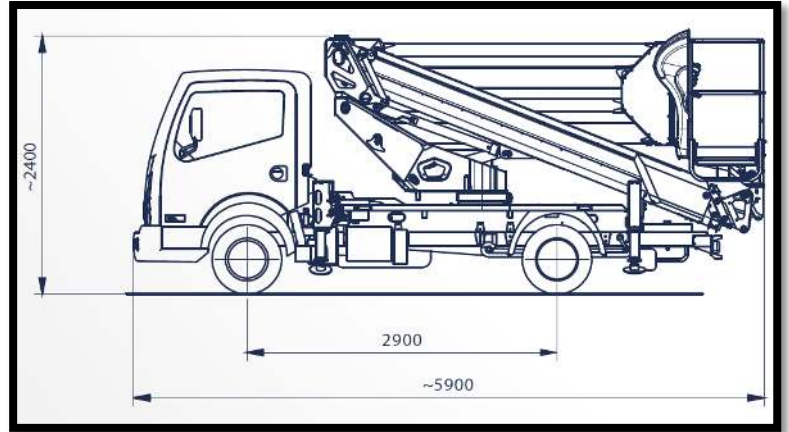
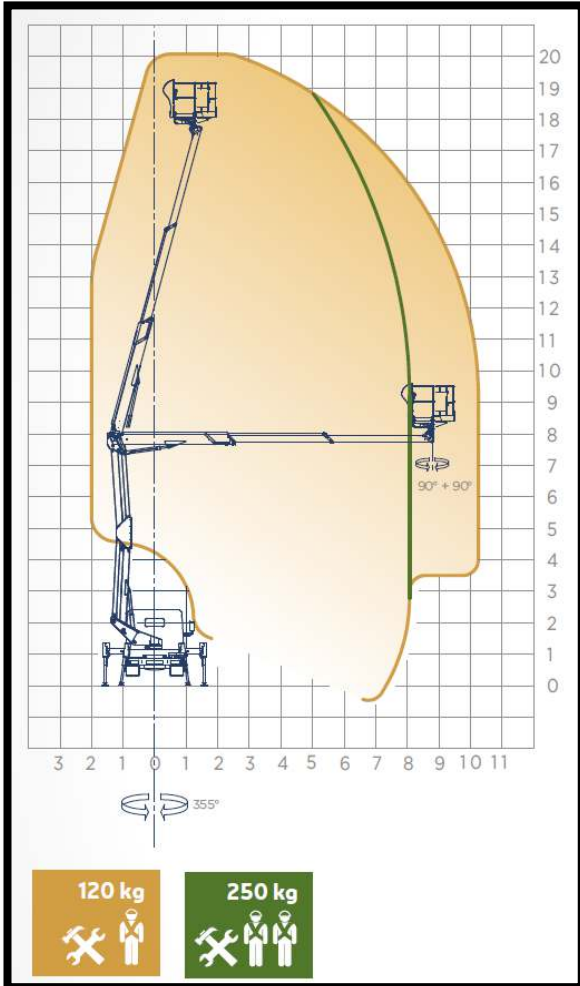


## SNAKE 2010 H PLUS



Max working height with 1 operator(m) 20 (120 Kg)	Platform floor height with 1 operator (m) 18 (120 Kg)	Max working outreach with 1 operator(m) 10 (120Kg)
Load capacity 1 operator(kg) 120	Load capacity 2 operators(kg) 250	Standing engine height(mm) 2400
Standing engine length(mm) 5900	Standing engine width (mm) 2100	Slewing turret 355°°
Platform 1400x700xh1100 - Aluminium	Controls Proportional hydraulic type - electro-hydraulic controlled aerial part	Slewing platform 90° right + 90° left