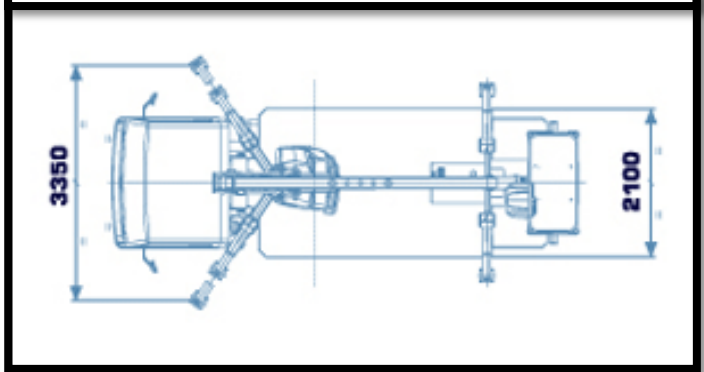
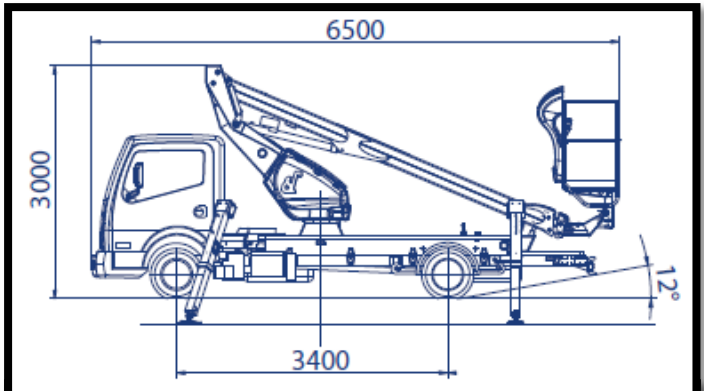
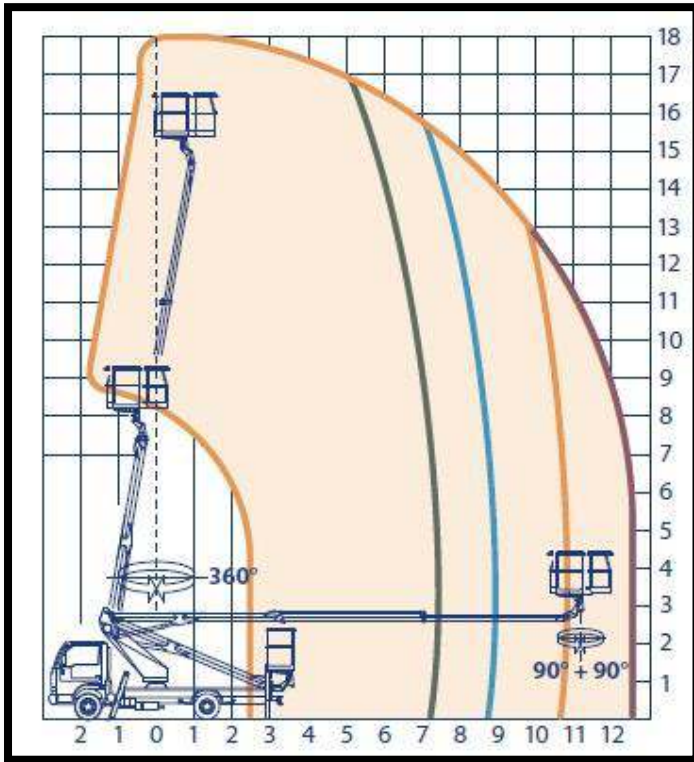


Scorpion 1812



 Max working height with 1 operator(m) 17,8	 Platform floor height with 1 operator (m) 15,8	 Max working outreach with 1 operator(m) 12 (120 Kg)
 Load capacity 1 operator(kg) 120	 Load capacity 2 operators(kg) 200	 Standing engine height(mm) 2900
 Standing engine length(mm) 6600	 Standing engine width (mm) 2100	 Slewing turret 400°
 Platform 1400x700xh1100 - Aluminium	 Controls Proportional hydraulic type	 Slewing platform 90° right + 90° left
 Boom Telescopic steel	 Stabilizers Type A	 Minimum installation(t) 3.50