



# Self-Propelled Telescopic Booms

## S™-60 & S-65, S-60 TraX & S-65 TraX

### Specifications

Models	S-60 / S-60 TraX		S-65 / S-65 TraX	
Measurements	Metric	US	Metric	US
Working height maximum* (on tyres)	20.30 m	66 ft	21.80 m	71 ft
Working height maximum* (with TraX)	20.30 m	66 ft	21.80 m	71 ft 2 in
Platform height maximum (on tyres)	18.30 m	60 ft	19.80 m	65 ft
Platform height maximum (with TraX)	18.30 m	60 ft	19.80 m	65 ft 2 in
Horizontal reach maximum	15.48 m	50 ft 10 in	17.10 m	56 ft 2 in
Below ground reach	1.70 m	5 ft 7 in	2.72 m	8 ft 11 in
Platform length - 8 ft model	0.91 m	3 ft	0.91 m	3 ft
Platform length - 6 ft model	0.76 m	2 ft 6 in	0.76 m	2 ft 6 in
Platform width - 8 ft model	2.44 m	8 ft	2.44 m	8 ft
Platform width - 6 ft model	1.83 m	6 ft	1.83 m	6 ft
Height - stowed	2.72 m	8 ft 11 in	2.72 m	8 ft 11 in
- stowed with TraX	2.77 m	9 ft 1 in	2.77 m	9 ft 1 in
Length - stowed	8.46 m	27 ft 9 in	9.42 m	30 ft 11 in
Length - transport (jib tucked under)	—	—	7.60 m	25 ft
Width - with standard tyres	2.49 m	8 ft 2 in	2.49 m	8 ft 2 in
- with TraX	2.59 m	8 ft 6 in	2.59 m	8 ft 6 in
Wheelbase	2.51 m	8 ft 3 in	2.51 m	8 ft 3 in
Ground clearance - center	0.37 m	1 ft 2.5 in	0.37 m	1 ft 2.5 in
- centre TraX	0.43 m	1 ft 5 in	0.43 m	1 ft 5 in

### Productivity

Lift capacity	227 kg	500 lbs	227 kg	500 lbs
Platform rotation	160°	160°	160°	160°
Vertical jib rotation	—	—	135° (+78° / -57°)	—
Turntable rotation	360° continuous		360° continuous	
Turntable tailswing (on tyres)	1.22 m	4 ft	1.22 m	4 ft
Turntable tailswing (with TraX)	1.14 m	3 ft 9 in	1.14 m	3 ft 9 in
Drive speed - 4WD stowed (on tyres)	4.8 km/h	3.0 mph	4.8 km/h	3.0 mph
Drive speed - 4WD stowed (with TraX)	3.7 km/h	2.3 mph	3.7 km/h	2.3 mph
Drive speed - raised or extended	1.1 km/h	0.68 mph	1.1 km/h	0.68 mph
Gradeability** stowed - 4WD	45%	45%	45%	45%
Turning radius - inside	2.36 m	7 ft 9 in	2.36 m	7 ft 9 in
- inside with TraX	3.66 m	12 ft	3.66 m	12 ft
Turning radius - outside	5.54 m	18 ft 2 in	5.54 m	18 ft 2 in
- outside with TraX	6.80 m	22 ft 3 in	6.80 m	22 ft 3 in
Controls	12 V DC proportional		12 V DC proportional	
Tyres - RT air filled	355/55D 625		355/55D 625	
TraX - track system - 4 point	Loeering QTS-R42		Loeering QTS-R42	
Ground Pressure (with TraX)	1,146 kg/sqm	11.24 kPa	1,210 kg/sqm	11.87 kPa

### Power

Power source	Deutz D 2011 LO3i 3 cylinder diesel 36 kW (48 hp) Perkins 404F-22 4 cylinder diesel 36 kW (48 hp) Deutz TD2011 L04i 4 cylinder turbo diesel 55 kW (74 hp)			
Auxiliary power unit	12 V DC	12 V DC	12 V DC	12 V DC
Hydraulic tank capacity	170 L	45 gal	170 L	45 gal
Fuel tank capacity	132 L	35 gal	132 L	35 gal

### Sound & Vibration Levels

Sound pressure level (ground workstation)	83 dBA	83 dBA	83 dBA	83 dBA
Sound pressure level (platform workstation)	79 dBA	79 dBA	79 dBA	79 dBA
Vibration	<2.5 m/s <sup>2</sup>	<8 ft 2 in/s <sup>2</sup>	<2.5 m/s <sup>2</sup>	<8 ft 2 in/s <sup>2</sup>

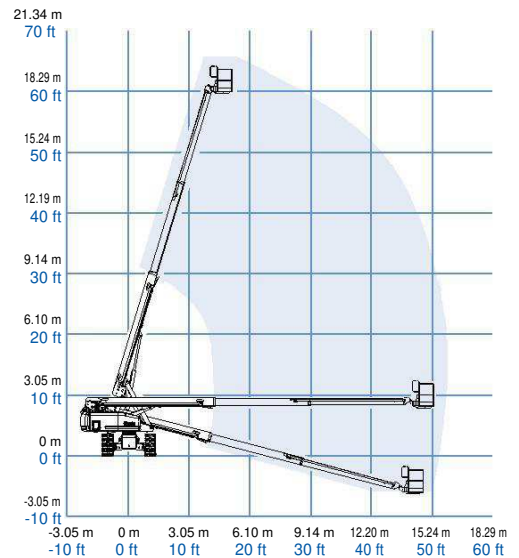
### Weight\*\*\*

4WD (CE air tyres)	9,385 kg	20,690 lbs	10,102 kg	22,270 lbs
CE Foam Filled tyres	add 347 kg	add 764 lbs	add 347 kg	add 764 lbs
4 WD (Track system)	11,353 kg	25,430 lbs	12,229 kg	26,960 lbs

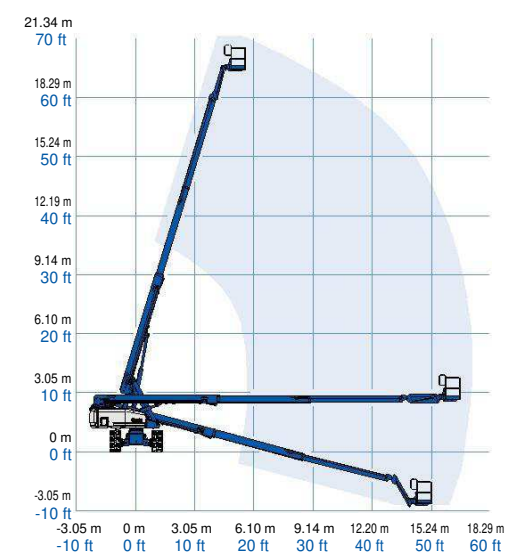
### Standards Compliance

EU Directives: 2006/42/EC - Machinery (harmonized standard EN280:2013); 2004/108/EC (EMC); 2000/14/EC (Outdoor Noise)

### Range of Motion S-60 / S-60 TraX



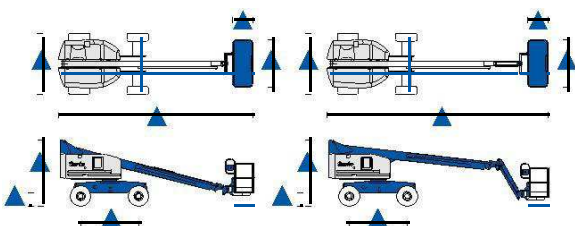
### Range of Motion S-65 / S-65 TraX



\* The metric equivalent of working height adds 2 m to platform height. U.S. adds 6 ft to platform height.

\*\* Gradeability applies to driving on slopes, see operator's manual for details regarding slope ratings.

\*\*\* Weight will vary depending on options and/or country standards.



### Features

Standard Features	Easily Configured To Meet Your Needs	Options & Accessories
-------------------	--------------------------------------	-----------------------

#### Measurements

##### S-60, S-60 TraX

- 20.30 m (66 ft) working height
- 15.50 m (50 ft 10 in) horizontal reach
- 227 kg (500 lb) lift capacity

##### S-65, S-65 TraX

- 21.80 m (71 ft) working height
- 17.10 m (56 ft 2 in) horizontal reach
- 227 kg (500 lb) lift capacity

#### Productivity

- Self-levelling platform
- Hydraulic platform rotation
- Proportional joystick controls
- Thumb rocker steering
- Drive enable
- AC power cord to platform
- Tilt alarm
- Descent & travel alarms
- Flashing beacon
- Horn
- Hour meter
- 360° continuous turntable rotation
- Locking turntable covers
- Positive traction drive
- Two speed wheel motors
- Certified load sensor

#### Power

- 12 V DC auxiliary power
- Anti-restart engine protection
- Auto engine fault shutdown
- Intake air heater (Deutz engine)

#### Platform Options

- Steel 1.22 m (4 ft)
- Steel 2.44 m (8 ft) (standard)
- Steel 1.83 m (6 ft)
- Steel 2.44 m (8 ft) tri-entry

#### Jib Options

- Non-jib
- 1.52 m (5 ft) articulating jib boom

#### Engine Options

- Deutz diesel 36 kW (48 hp)
- Perkins diesel 36 kW (48 hp)
- Deutz diesel 55 kW (74 hp)

#### Drive Options

- 4 x 4

#### Axle Options

- Active oscillation (4WD)

#### Tyre Options

- Rough terrain air-filled (standard)
- Rough terrain foam-filled (water base)
- Rough terrain non-marking air or foam-filled
- Sealant treated air-filled
- Loegering track system

#### Productivity Options

- Platform top auxiliary rail
- Weld leads to platform <sup>(1)</sup>
- Air line to platform <sup>(1), (4)</sup>
- Power to platform (incl. plug, socket and ground fault interrupt leakage on request)
- Work lights package (2 on chassis, 2 on platform)
- Dual axis joystick steering
- Second battery
- Hydraulic oil cooler
- Biodegradable hydraulic oil <sup>(1)</sup>
- Hostile environment kit <sup>(1)</sup>: cylinder bellows, boom wiper seals, platform and ground control box cover
- Deluxe hostile environment kit <sup>(1,2)</sup>: adds to basic kit center turntable shield, ring gear guard, tail pipe guard, engine cover flaps and air pre-cleaner
- Aircraft protection kit <sup>(1,2)</sup>: platform foam padding and padded disable system
- Tilt cut-out option
- Track & Trace <sup>(3)</sup> (GPS unit providing machine location & operating information)
- Panel cradle package <sup>(1,2)</sup>
- Lockable platform & ground control box covers
- Second battery
- Tow package <sup>(1)</sup>
- Tool tray
- Operator Protective Structure
- Operator Protective Alarm

#### Power Options

- Engine gauge package <sup>(1)</sup>: oil pressure, temp & amp
- AC generator packages (110V/60Hz - 220V/50Hz, 3000 W) <sup>(1)</sup>
- Hydraulic MTE generator kit (110V/120V-220V/240V)
- Deutz V-Belt Generator kit (110V/220V) <sup>(2)</sup>
- Diesel air intake pre-cleaner <sup>(1,2)</sup>
- Diesel catalytic scrubber muffler <sup>(1)</sup>
- Low temperature cut-out module
- Engine heater <sup>(2)</sup>
- Cold start kit <sup>(2)</sup>: engine heater & battery charger
- Refinery kit with spark arrestor and electric or mechanical Chalwyn valve <sup>(2)</sup>



<sup>(1)</sup> Factory-fit option only

<sup>(2)</sup> Available on selected models only. See your Genie representative for further information.

<sup>(3)</sup> Includes a first 2 years subscription

<sup>(4)</sup> Air line to platform not compatible with Weld leads to platform

Distributed By

