

Sales & Service



Bespoke Design

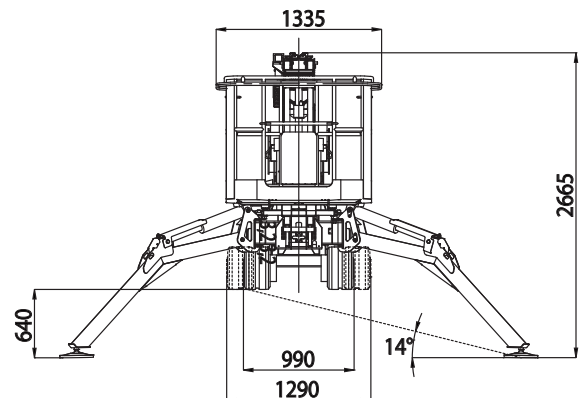
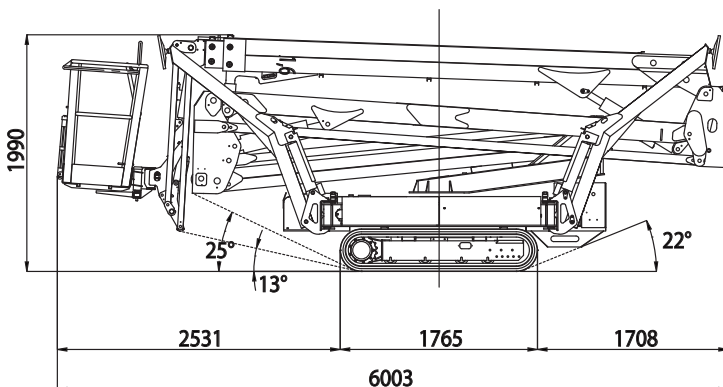
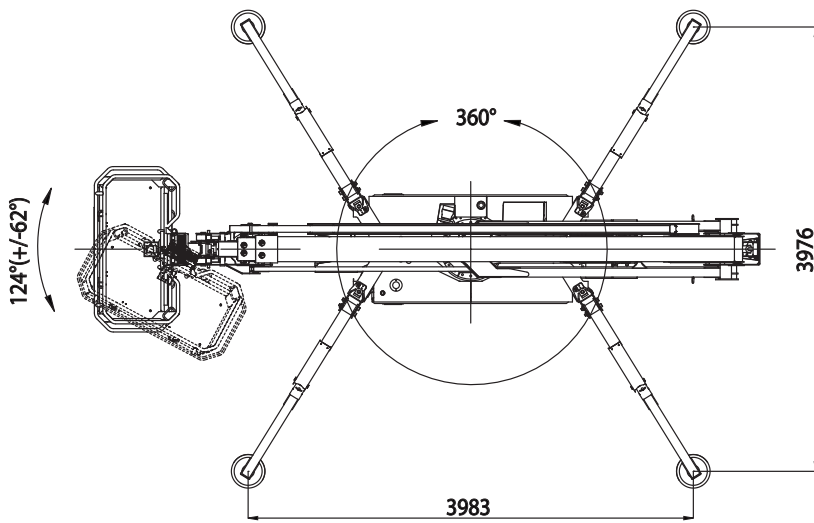


MEWP Training



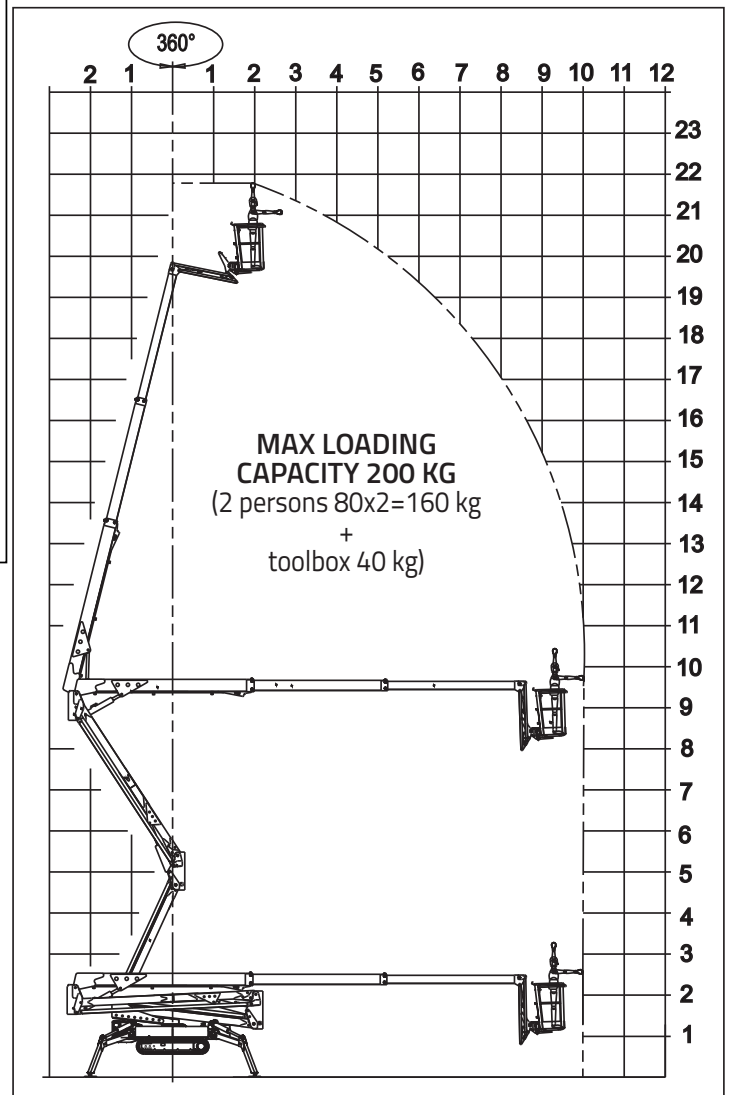
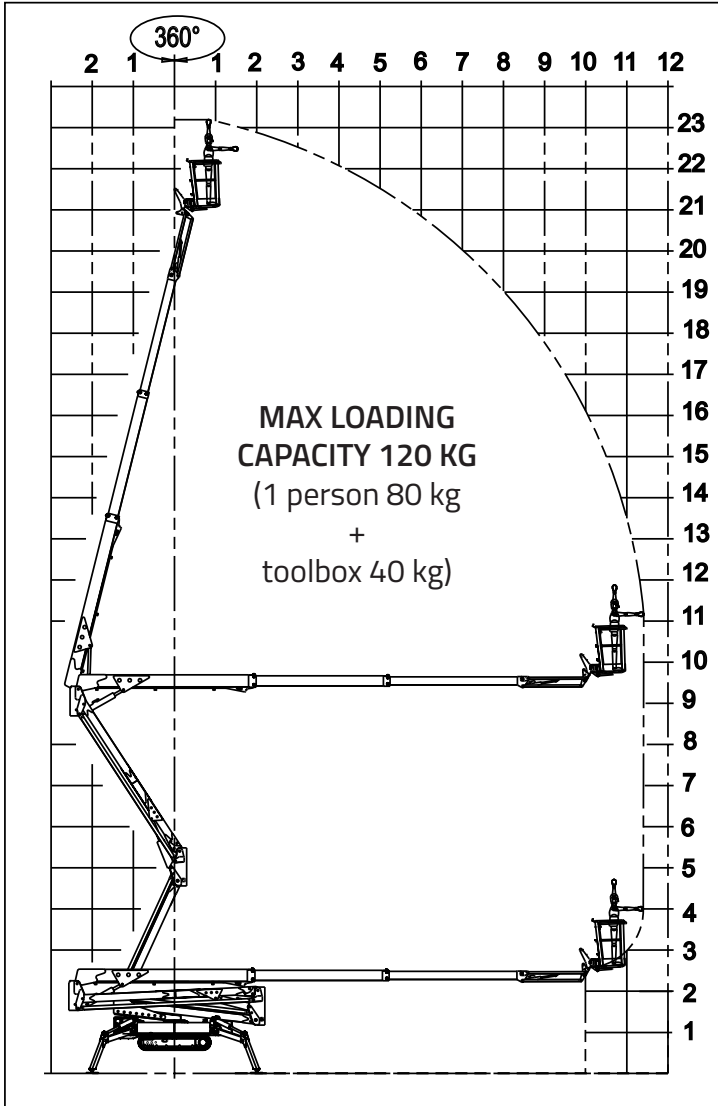
Handling Solutions

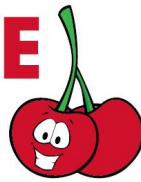
# LIGHTLIFT 23.12 *MS*





## LIGHTLIFT 23.12 III S



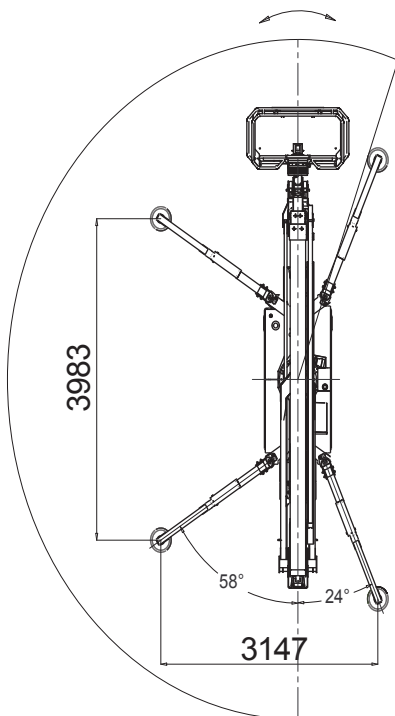


## LIGHTLIFT 23.12 III S

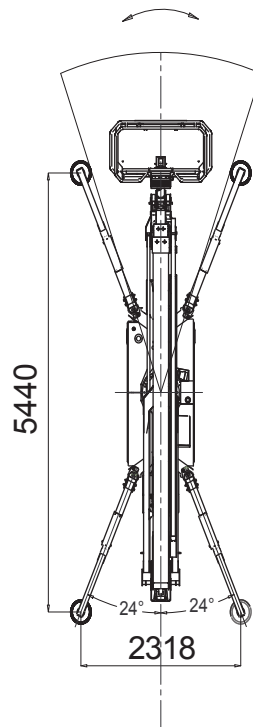
### STANDARD VARIABLE AREA

Outriggers can deploy in different positions.  
This solution enables to set up the machine even in the narrowest places.

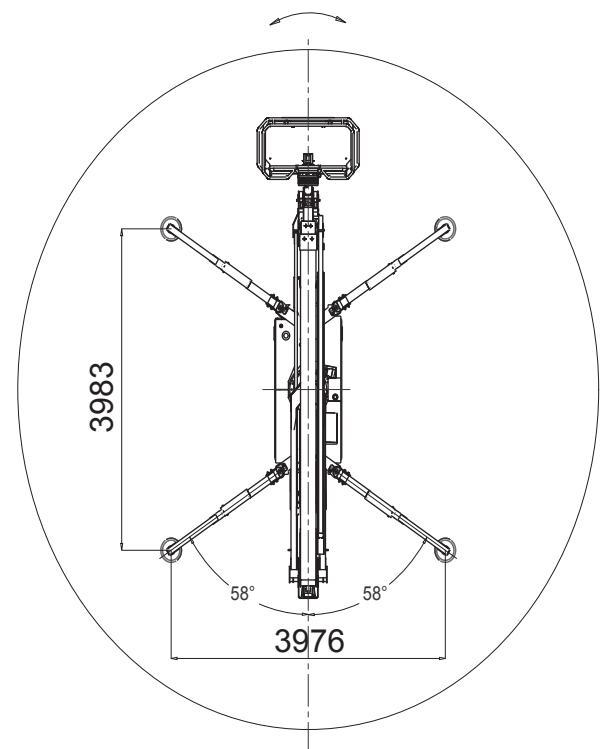
200°(+/-20° / +/-180°)

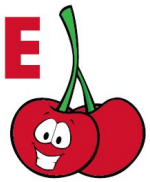


40°(+/-20°)



360°(+/-180°)





Sales &  
Service



Bespoke  
Design



MEWP  
Training



Handling  
Solutions

# LIGHTLIFT 23.12 III S

**PETROL ENGINE**

Brand ..... HONDA  
 Type ..... iGX440  
 Pistons no. and displacement ..... double-cylinder 440 cm<sup>3</sup>  
 Max. gross power ..... 12,7 HP - 9,5 kW @ 3600 rpm  
 Electrical start ..... 12 volt

**ELECTRIC MOTOR**

Standard ..... 230V / 50 Hz - 2,2 kW  
 Optional ..... 110V / 50 Hz - 2,2 kW

**HYDRAULIC PUMPS**

Pump diesel engine ..... no. 2 gear pumps  
 Pump electric motor ..... no. 2 gear pumps

**TRACKED UNDERCARRIAGE**

Track tensioner ..... grease-filled  
 Rollers no. per side ..... 4 + slide  
 Widening system ..... 990 / 1290 mm  
 Max translation speed with standard 2<sup>nd</sup> speed ..... 1,0 - 1,7 km/h

WEIGHT MACHINE ..... 2990 kg  
 MAX UPPER SLANT ..... 16° / 28,7 %  
 MAX WIND SPEED ..... 12,5 m/s

# LIGHTLIFT 23.12 III S

## LITHIUM-ION

### LITHIUM-ION SYSTEM

Battery .....	100 Ah
Electric motor:	
- rated voltage .....	72 V
- rated power .....	3,5 kW
Onboard battery charger .....	110V-220V+-30V 50-60 Hz
Autonomy (continuous cycle)* .....	4-5 h
* (Autonomy measured with Hinowa H1 operating cycle)	
Recharge time on flat batteries .....	4 h (indicative)
Recharge time to 80% on flat batteries .....	2 h (indicative)

### HYDRAULIC PUMPS

Electric motor .....	no.2 gear pumps
----------------------	-----------------

### TRACKED UNDERCARRIAGE

Track tensioner .....	grease-filled
Rollers no. per side.....	4 + slide
Widening system .....	990 / 1290 mm
Max translation speed with standard 2 <sup>nd</sup> speed .....	0,7 - 1,2 km/h

WEIGHT MACHINE .....	3200 kg
MAX UPPER SLANT .....	16° / 28,7 %
MAX WIND SPEED.....	12,5 m/s