



FREEDOM PLUS



TECHNICAL FEATURES

- 350kg capacity and a variety of lift heights available
- Battery electric operation
- Standard attachments available are: - Adjustable forks, fixed forks, steel platform, roller platform and steel boom.
- Bespoke attachments are also available i.e. reel handler and dual position carriage (POA)
- Other options available include +500 mast, + 250 straddle, + 500 straddle
- Ergonomically designed handle to improve manoeuvrability
- Lightweight steel construction
- Modular design capable of fitting most applications
- Simple maintenance 'plug and go' components
- Compact, fits through a standard doorway
- High visibility with a single, narrow mast
- Safe to Load as it has twin total stop brakes
- Hand controller allows operation from a variety of positions
- Reduced noise level
- Can be shipped flat packed and easily assembled / disassembled
- Reduced tractive effort & improved manoeuvrability
- Hard wearing polyurethane tyres and wheels fitted with toe guards
- Built in universal charger
- Battery charge indicator
- Key reset emergency stop allows equipment to be left isolated

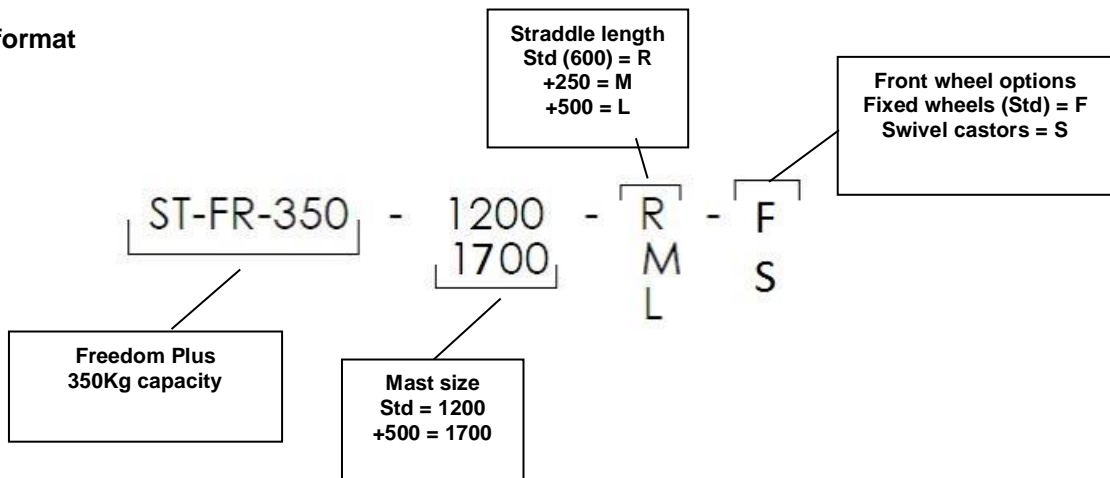


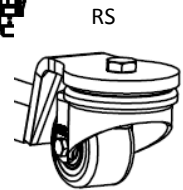
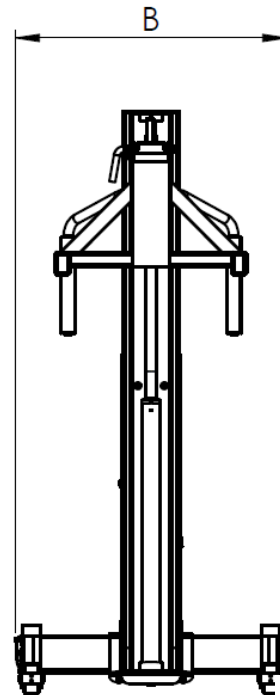
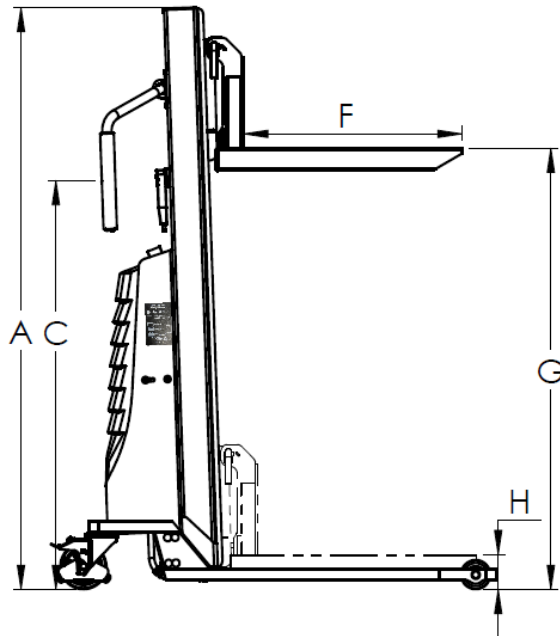
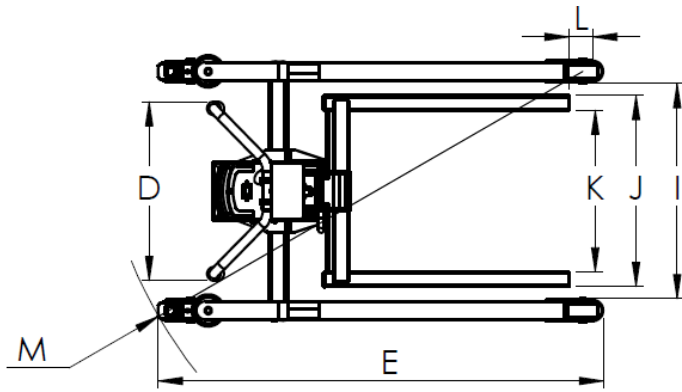
TECHNICAL SPECIFICATION

	Overall height	Overall width	Travel	Handle height	Handle width	Overall length	Fork length	Fork height – raised	Fork height – lowered	Inside leg width	Width Over-fork	Width between forks	Over hang	Turning radius	Load centre distance	Castor wheel diameter	Load wheel diameter	weight exc attachment	Capacity (Kg)	Lift speed (mm/sec)
	A	B	-	C	D	E	F	G	H	I	J	K	L	M	-	-	-	-	-	-
Freedom Plus 1200	1600	740	1110	1120	500	1215	600	1200	95	585	520	440	95	1230	300	125	80	92	350	50
+ Front swivel castors	1600	-	1110	-	-	1130	-	-	-	560	-	-	40	-	-	-	65	-	-	-
+ 500 Mast (1700mm lift height)	2100	-	1610	-	-	1215	-	1700	95	-	-	-	-	-	-	-	80	-	-	-
+ 250 Straddle (850mm long straddle)	-	990	-	-	-	-	-	-	-	835 with swivel: 810	-	-	-	1300 RS:-	-	-	-	-	-	-
+ 500 Straddle (1100mm long straddle)	-	1240	-	-	-	-	-	-	-	1085 with swivel: 1060	-	-	-	1530 RS:-	-	-	-	-	-	-

All dimensions are in mm unless otherwise shown

Part number format





FREEDOM PLUS WITH FIXED FORKS



ATTACHMENTS

No	Name	Code	A	B	C	D	Load centre distance	Capacity (kg)	Lowered height
1	Boom Attachment	ST-VOY-FR-350-BOOM	820	50	-	-	450	230	210
2	Jib Attachment	ST-VOY-FR-350-JIB	600	50	180	-	600	175	135
3	Steel Platform	ST-VOY-FR-350-PLATFORM	600	520	55	-	300	350	90
4	Roller Platform	ST-VOY-FR-350-ROLLERS	585	520	120	50	240	350	155
5	Adjustable Forks	ST-VOY-FR-350-ADJFORK	545	P1 = 745 P2 = 350	45	95	220	350	90

All dimensions are in mm unless otherwise shown

