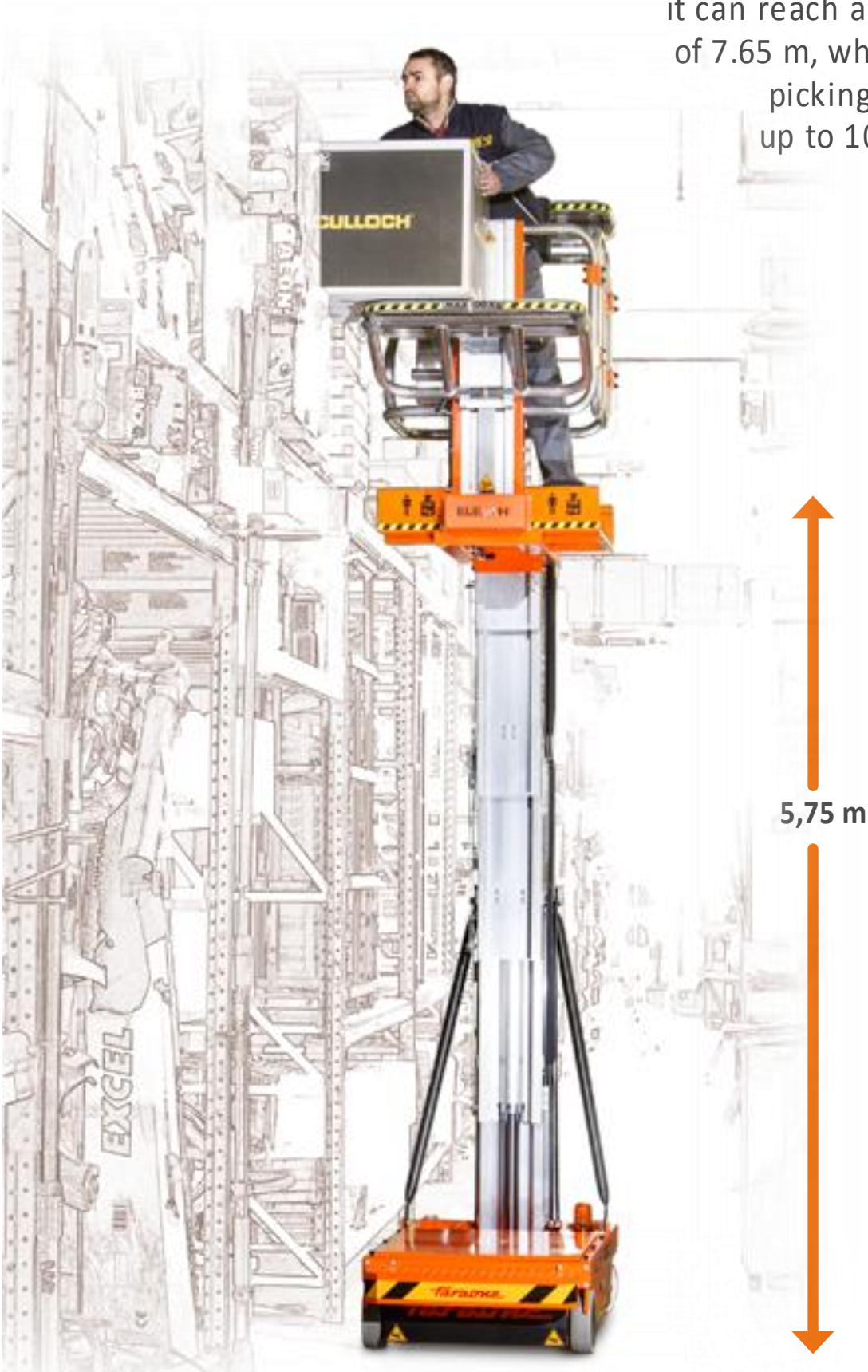


Stock Picker 80 MP is unique amongst picking trucks in that it can reach a working height of 7.65 m, whilst allowing the picking of materials of up to 100 kg in weight.

STOCK PICKER 80 MOVE PICKING

PICKING TRUCKS





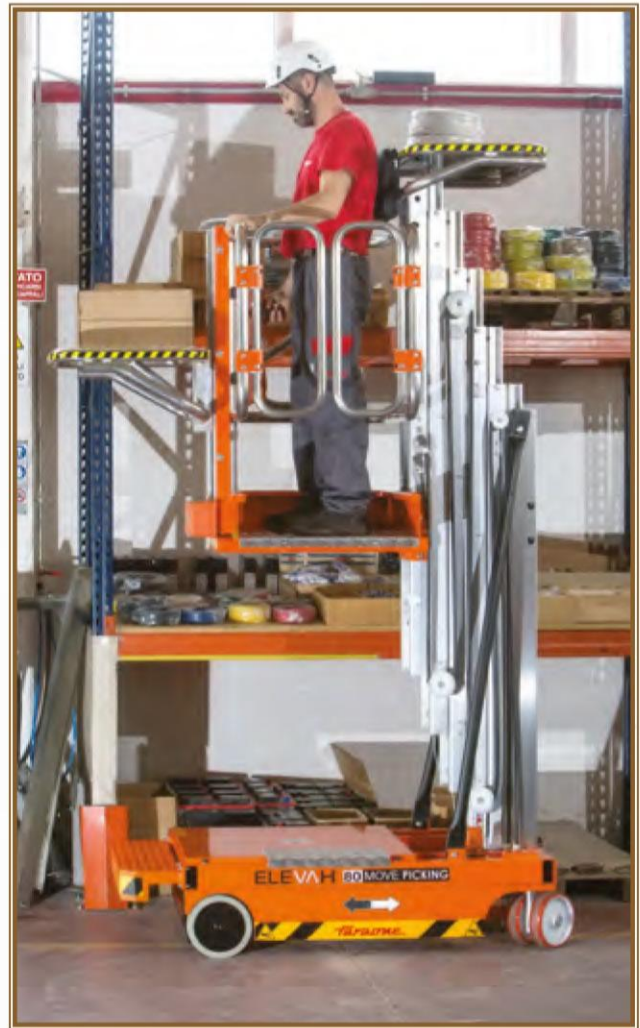
EXTREMELY LIGHT AND COMPACT.

THE COLUMNS AND CAGE ARE OF ALUMINIUM

Extremely compact and versatile and weighing only 790 kg, it takes up little space and is incredibly maneuverable (it has a zero turning circle).

ERGONOMIC AND COMFORTABLE

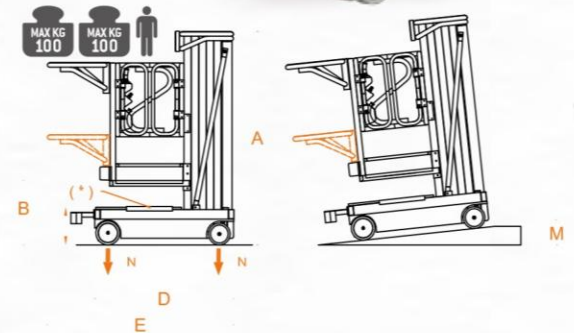
Thanks to the reach of the electric picking platform and the extremely ergonomic workstation, the picking of products can be done easily and in comfort.



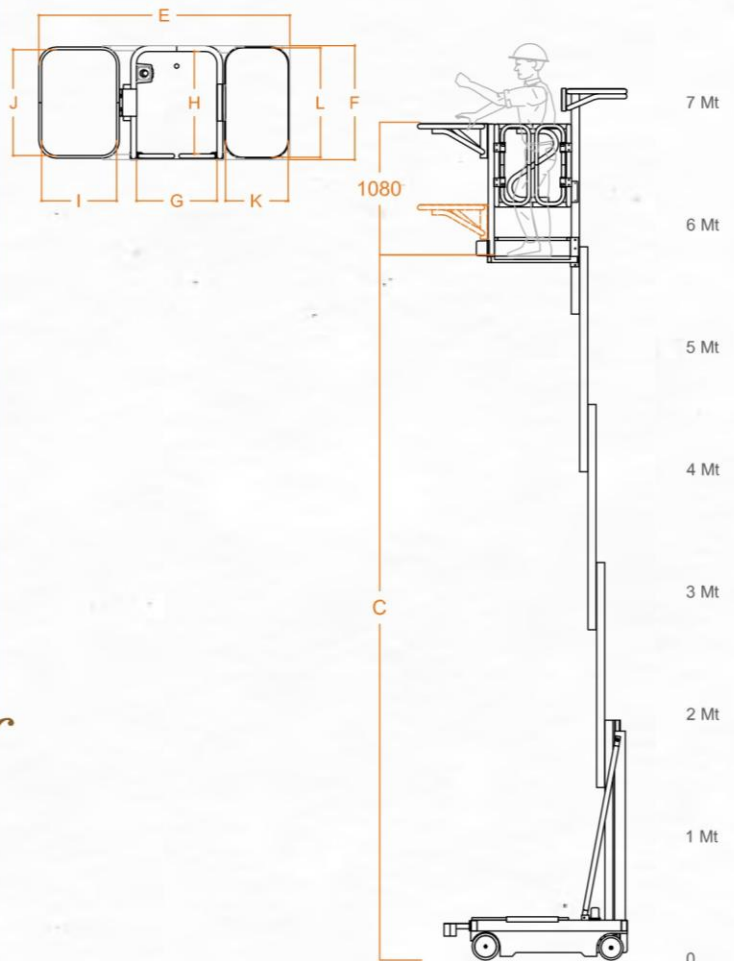
- Side entrance with sensors which stop the cage opening.
- Dual operator presence device.
- Anti-tilting device.
- Electronic slope monitoring.
- Overload monitoring

Technical data

Max capacity		200 kg
Number of people		1
Use		internal
A	Closed machine height	1980 mm
B	Min.height from the ground to the platform level	590 mm*
C	Maximum height from the ground to the platform level	5750 mm
D	Base overall dimensions	1280 mm
E		1720 mm
F		780 mm
G	Cage inner dimensions	550 mm
H		700 mm
I	Picking platform	510 mm
J		720 mm
K	Storage tray	420 mm
L		720 mm
Capacity of storage tray		20 kg
Machine weight		790 kg
Power supply		24 V
N° 2 12V Pb Acid Batteries		105 Ah
Battery charger		110V - 220V
Climbing ability at height		2,5%
M	Maximum climbing ability	15% mm
Drive wheels dimension		Ø 220 x 65
Swivel wheels dimensions		Ø 200 x 50
Turning radius		1095 mm
Maximum rising speed		0,2 m/s
Maximum descending speed		0,2 m/s
Maximum shifting speed		0,7 m/s
Maximum shifting speed at height		0,25 m/s
Max. elevation of self-propulsion when raised		C=5750 mm
N	Maximum pressure for wheel at full load	3,50 kN**
Work cycles *** (with fresh batteries)		130



2 Mt 1-Mt 0 8 Mt



- * There is an intermediate step.
- ** Maximum pressure whereas the weight of the platform plus the maximum load on the basket are completely distributed on one side of the platform (totally asymmetric load).
- *** By work cycle we mean a self-propelled movement of 20 m with a full ascent to and descent from the maximum height and with adjustment of the loading platform.