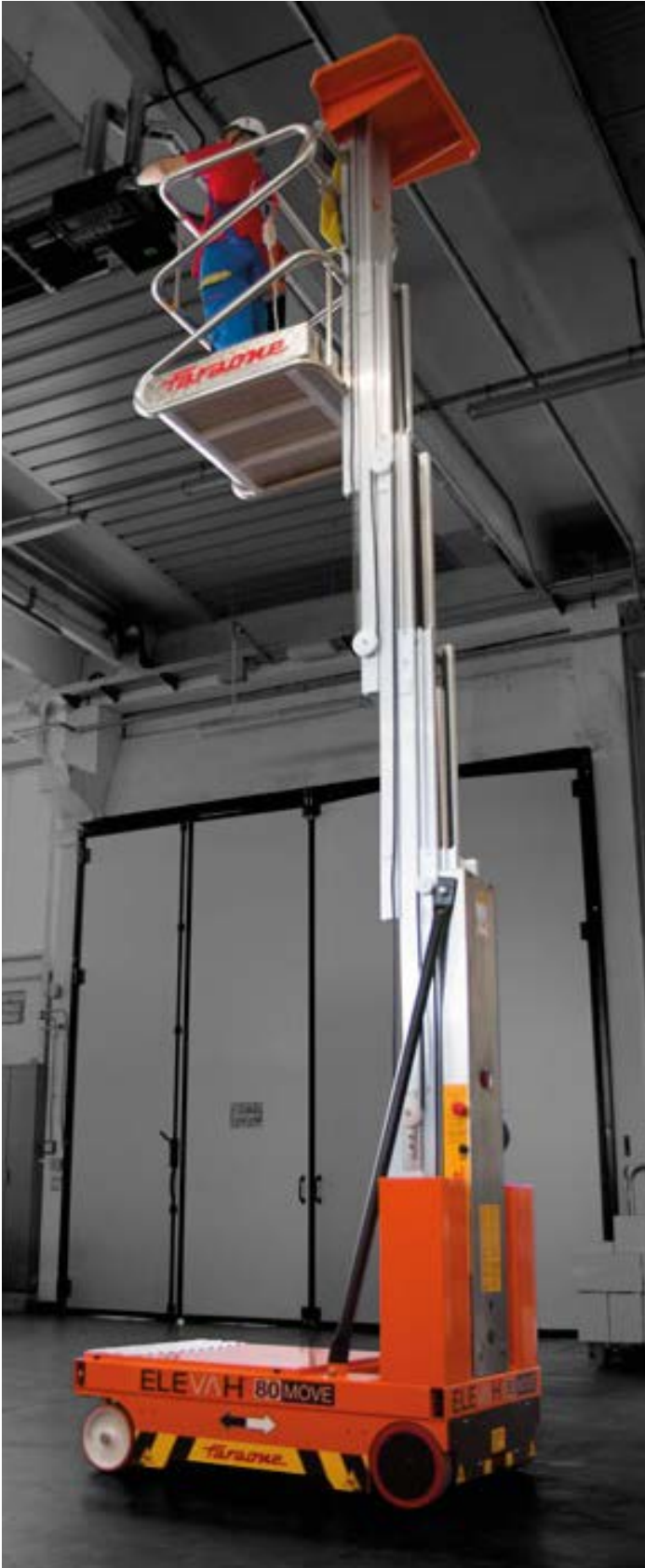


# ELEVAH<sup>®</sup> 80-65 MOVE

**CHERRYPICKER·IE**

Key Sales & Service   Wrench Bespoke Design   Person MEWP Training   Person Handling Solutions



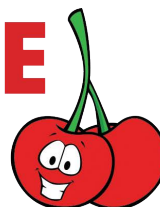
**CHERRYPICKER·IE**

Key Sales & Service

Wrench Bespoke Design

Person MEWP Training

Person Handling Solutions



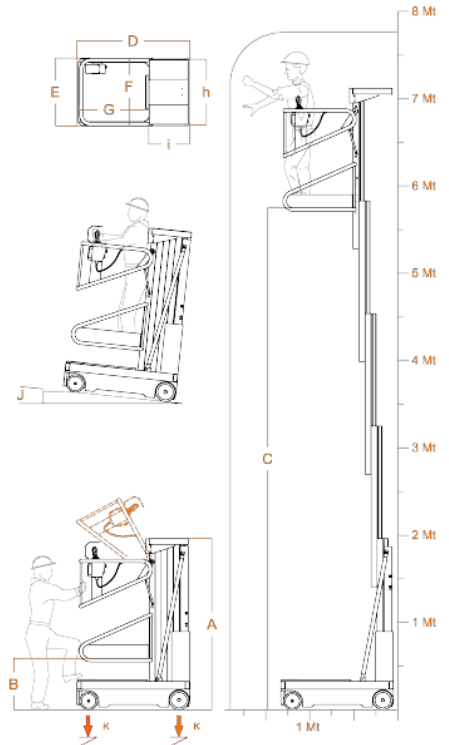
# ELEVAH<sup>®</sup> 80-65 MOVE

Max. working height	7,75 m
Max capacity	200 kg
Number of people	1
Use	Internal
<b>A</b> Closed machine height	2000 mm
<b>B</b> Minimum platform height	600 mm
<b>C</b> Maximum platform height	5750 mm
<b>D</b> Base overall dimensions	1280 mm
	780 mm
<b>F</b> Cage dimensions	770 mm
	790 mm
Machine weight	750 kg
<b>H</b> Fixed picking tray dimensions	740 mm
	440 mm
Fixed picking tray capacity	20 kg
Drive wheels dimension	Ø 220 x 65 mm
Swivel wheels dimensions	Ø 200 x 50 mm



## PERFORMANCE

Power supply	Electrical
Batteries	Lead-Acid Batteries 12V 105 Ah
Battery charger	110V – 220V 50/60HZ
<b>J</b> Maximum climbing ability	15 %
Climbing ability at height	2,5 %
Internal turning radius	0
External turning radius	1095 mm
Max. speed (rising)	0,20 m/s
Max. speed (descending)	0,20 m/s
Maximum shifting speed	4 Km/h
Maximum shifting speed at height	1 Km/h
<b>K</b> Maximum pressure for wheel at full load*	3,3 kN
Work cycles (with fresh batteries)**	130



# CHERRY PICKER·IE



Sales & Service



Bespoke Design



MEWP Training



Handling Solutions

