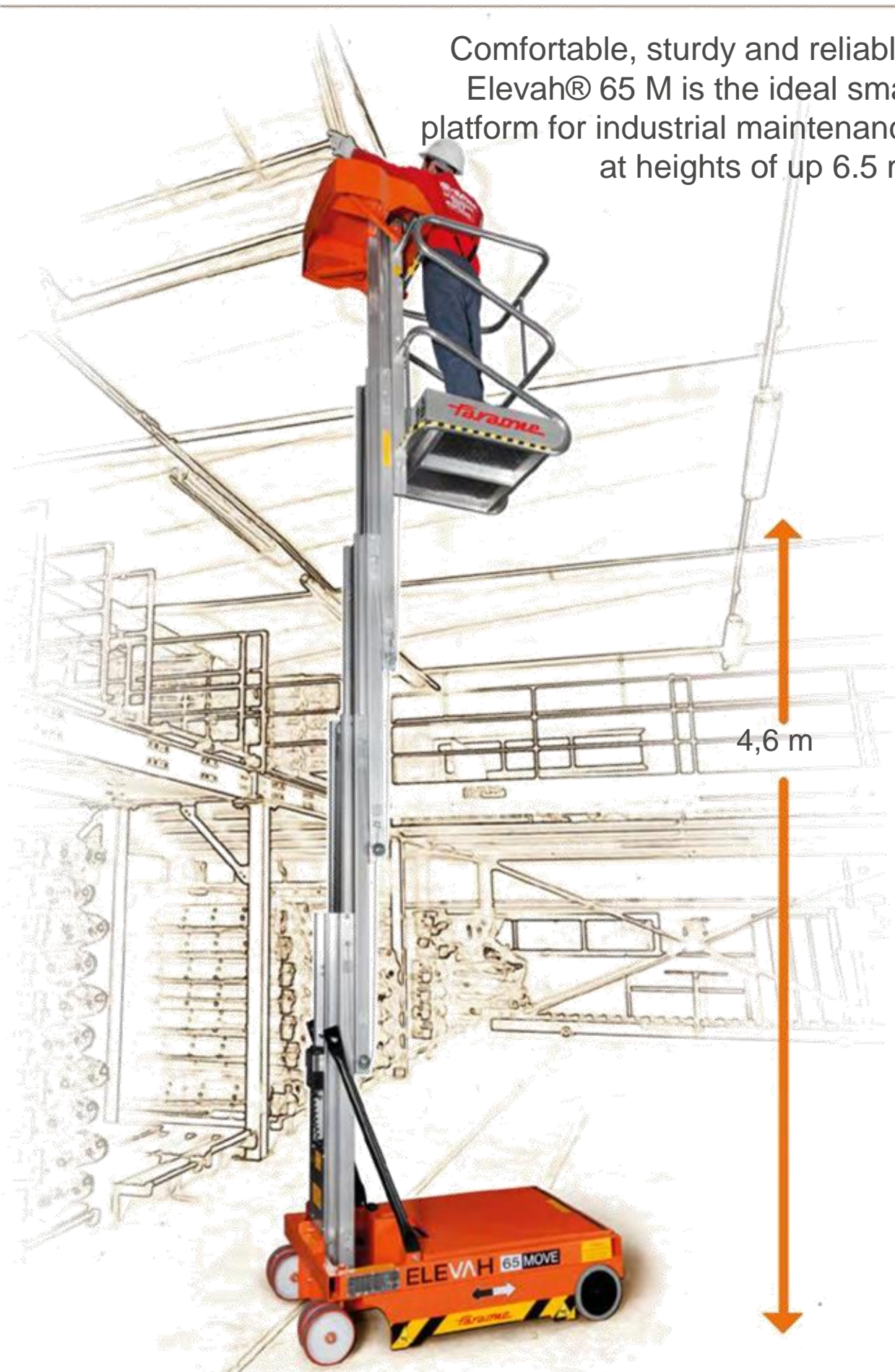


STOCK PICKER 65M

Comfortable, sturdy and reliable, Elevah® 65 M is the ideal small platform for industrial maintenance at heights of up to 6.5 m.



ELEVAH 65 MOVE

SELF PROPELLED PLATFORMS

STOCK PICKER 65M



COMPACT AND PRACTICAL.

THE COLUMNS AND CAGE ARE OF ALUMINIUM



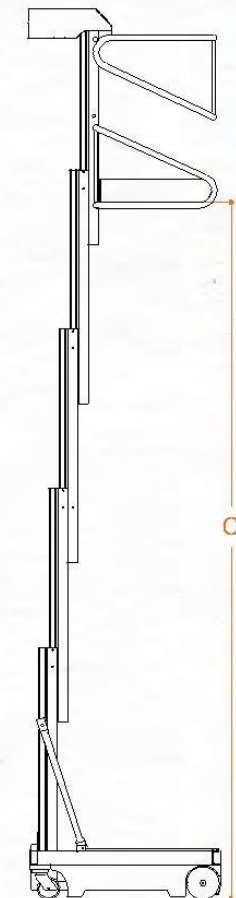
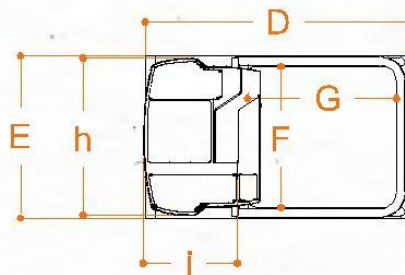
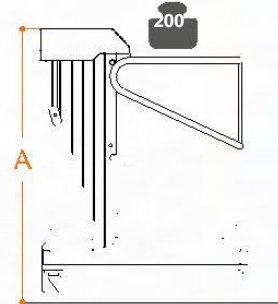
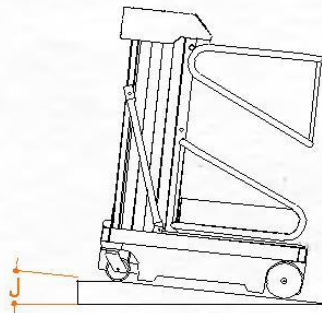
ELEVH 65 MOVE
SELF PROPELLED PLATFORMS

ELEVAH® 65 MOVE

Technical data



Max capacity		200 kg
Number of people		1
Use		internal
A	Closed machine height	1690 mm
B	Min. height from the ground to the platform level	400 mm
C	Max. height from the ground to the platform level	4600 mm
D	Base overall dimensions	1280 mm
E		780 mm
F	Cage inner dimensions	760 mm
G		667 mm
H		755 mm
I	Storage tray	450 mm
Capacity of storage tray		20 kg
Machine weight		580 kg
Power supply		24 V
N° 2 12V Pb Acid Batteries		105 Ah
Battery charger		110V - 220V
Climbing ability at height		2,5%
J	Maximum climbing ability	15%
Drive wheels dimension		Ø 220 x 65
Swivel wheels dimensions		Ø 200 x 45
Turning radius		1095 mm
Maximum rising speed		0,20 m/s
Maximum descending speed		0,20 m/s
Maximum shifting speed		0,70 m/s
Maximum shifting speed at height		0,25 m/s
K	maximum pressure for wheel at full load	2,75 kN*
Work cycles ** (with fresh batteries)		130



TECHNICAL DATA

* Maximum pressure whereas the weight of the platform plus the maximum load on the basket are completely distributed on one side of the platform (totally asymmetric load).

** By work cycle we mean a self-propelled movement of 20 m with a full ascent to and descent from the maximum height and with adjustment of the loading platform.

