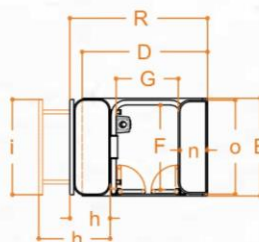
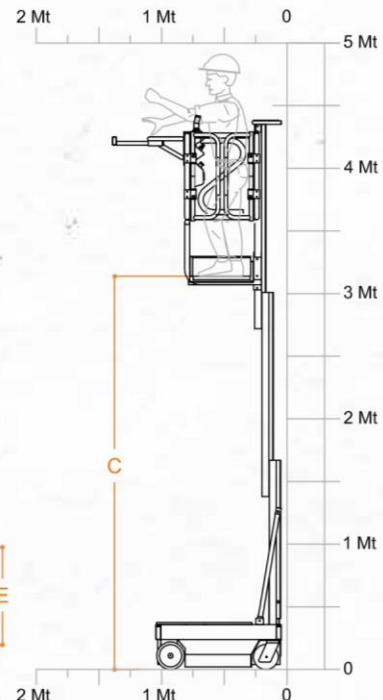
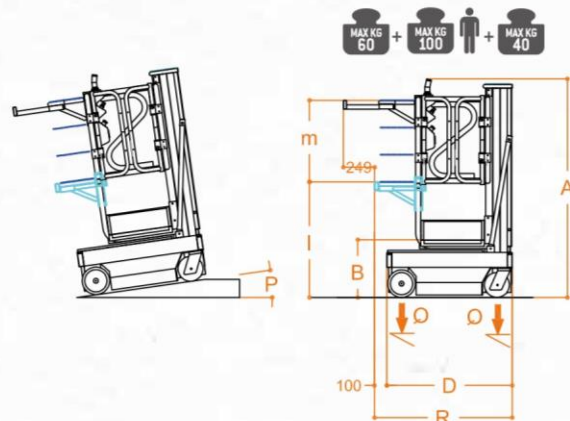


Technical data

Max capacity		200 kg
Number of people		1
Use		internal
A	Closed machine height	1745 mm
B	Min. height from the ground to the platform level	460 mm
C	Max. height from the ground to the platform level	3140 mm
D	Base overall dimensions	1000 mm
E		780 mm
R		1100 mm
F	Cage inner dimensions	675 mm
G		497 mm
H	Internal picking dimensions	from 320 to 570 mm
I		770 mm
L	Height from the ground to the storage tray	920 mm
M	Picking bowl travel	650 mm
N	Storage tray	230 mm
O		750 mm
Picking plate capacity		60 kg
Capacity of storage tray		40 kg
Machine weight		600 kg
Power supply		24 V
N° 2 12V Pb Acid Batteries		85 Ah
Battery charger		110V - 220V
Climbing ability at height		2,5%
P	Maximum climbing ability	13%
Driving wheels dimensions		Ø 220 x 65
Swivel wheels dimensions		Ø 200 x 45
Turning radius		1200 mm
Maximum rising speed		0,12 m/s
Maximum descending speed		0,15 m/s
Maximum shifting speed		1,9 m/s
Maximum shifting speed at height		0,2 m/s
Q	Maximum pressure for wheel at full load (*)	2,07 kN
Work cycles** (with fresh batteries)		140



- * Maximum pressure whereas the weight of the platform plus the maximum load on the basket are completely distributed on only one side of the platform (totally asymmetric load).
- ** By work cycle we mean a self-propelled movement of 20 m with a full ascent to and descent from the maximum height and with adjustment of the loading platform.

Distributed By

